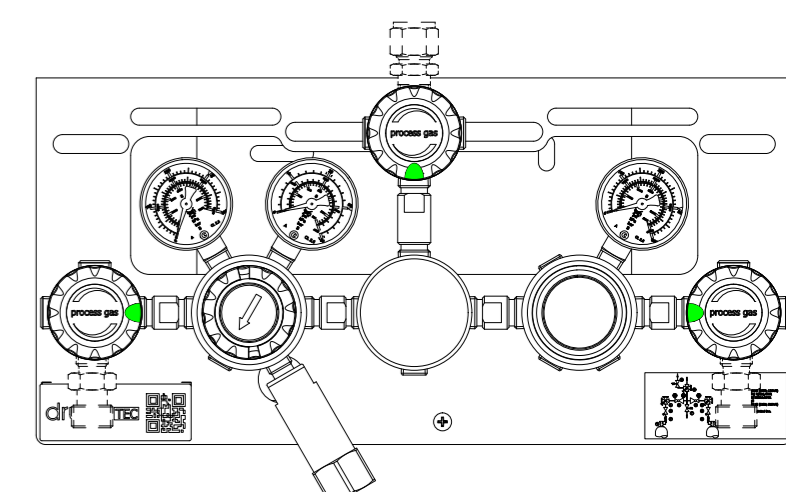
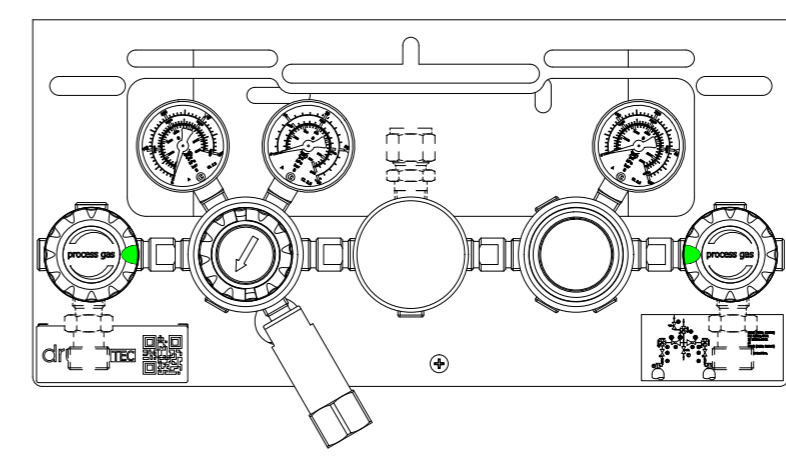


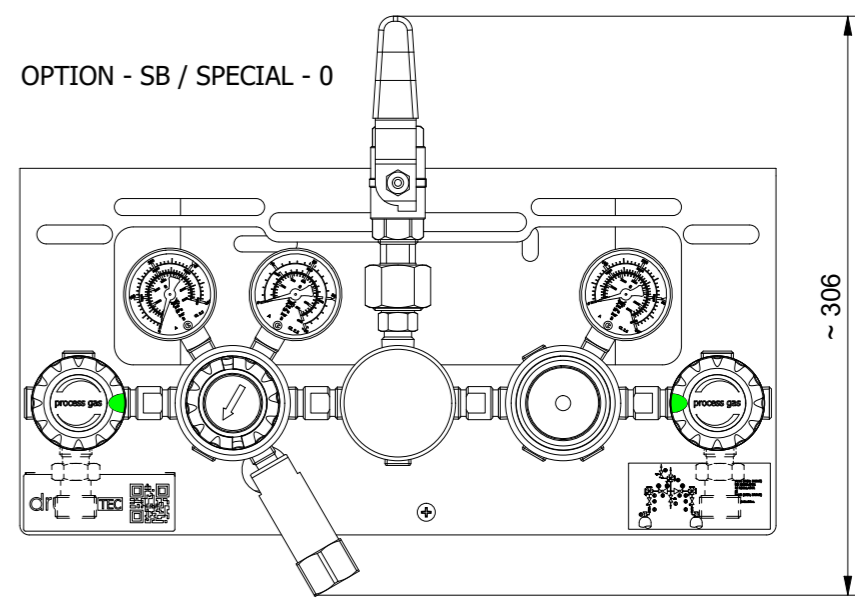
STANDARD VERSIONS OVERVIEW  
OVERVIEW OF ADDITIONAL VERSIONS - SHEET NO. 2

OPTION - S0 / SPECIAL - 0

OPTION - SS / SPECIAL - 0



OPTION - SB / SPECIAL - 0



ORDERING INFORMATION

MTMH0S S SX X XX XX XX XX XXXX XXXX XXXX

- STAGES:**  
S - SINGLE STAGE
- OPTIONS:**  
S0 - HP SHUT-OFF VALVE + LP WITHOUT  
SS - HP SHUT-OFF VALVE + LP SHUT-OFF VALVE  
SB - HP SHUT-OFF VALVE + LP BALL VALVE
- SPECIALS:**  
0 - WITHOUT  
C - CHECK VLV  
F - SAFETY DEV. FLAM.  
G - CHECK VLV + SAFETY DEV. FLAM.  
H - CHECK VLV + SAFETY VLV + SAFETY DEV. FLAM.  
N - SAFETY DEV. OXY/AIR  
P - CHECK VLV + SAFETY DEV. OXY/AIR  
Q - CHECK VLV + SAFETY VALVE + SAFETY DEV. OXY/AIR  
S - SAFETY VLV  
U - CHECK VLV + SAFETY VLV  
Y - SAFETY DEV. FLAM. + SAFETY VLV  
Z - SAFETY DEV. OXY/AIR + SAFETY VLV

- INLET PRESSURE:**  
F4 - 60 BAR  
FX - 200 BAR  
GX - 300 BAR

- OUTLET PRESSURE:**  
D2 - 10 BAR  
E1 - 20 BAR  
E2 - 40 BAR  
F2 - 100 BAR

- PURGE CONNECTION:**  
0001 - WITHOUT (PLUGGED)
- PROCESS OUTLET CONNECTION:**  
N38F - NPT3/8" FEMALE  
MORE VERSIONS ON LIST OF CONNECTIONS
- PROCESS INLET CONNECTION:**  
N38F - NPT3/8" FEMALE  
E2MR - G3/8" MALE EN 560 RIGHT HAND  
W2ML - WHITWORTH 21.8X1/4 MALE LEFT HAND  
W2MR - WHITWORTH 21.8X1/4 MALE RIGHT HAND

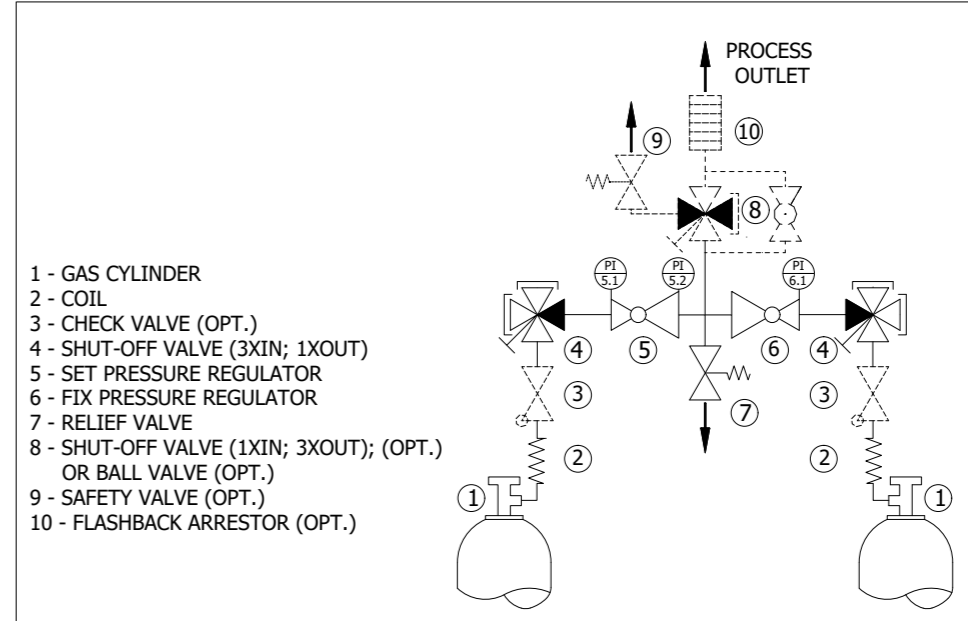
- OUTLET GAUGE TYPE:**  
BT - BOURDON TUBE  
I2 - INDUCTIVE CONTACT I2  
R2 - REED CONTACT R2  
I1 - INDUCTIVE CONTACT I1  
R5 - REED CONTACT R5

- INLET GAUGE TYPE:**  
BT - BOURDON TUBE  
I1 - INDUCTIVE CONTACT I1  
R5 - REED CONTACT R5

LIST OF PROCESS OUTLET CONNECTIONS

- N38F - NPT3/8" FEMALE
- G12F - G1/2" FEMALE
- M12B - COMPRESSION FITTING 12MM BRASS
- M15B - COMPRESSION FITTING 15MM BRASS
- M18B - COMPRESSION FITTING 18MM BRASS
- M12S - COMPRESSION FITTING 12MM SS
- M15S - COMPRESSION FITTING 15MM SS
- M18S - COMPRESSION FITTING 18MM SS
- M25S - COMPRESSION FITTING 25MM SS
- IX8B - COMPRESSION FITTING 1/2" BRASS
- I10B - COMPRESSION FITTING 5/8" BRASS
- I12B - COMPRESSION FITTING 3/4" BRASS
- I14B - COMPRESSION FITTING 7/8" BRASS
- IX8S - COMPRESSION FITTING 1/2" SS
- I12S - COMPRESSION FITTING 3/4" SS
- I16S - COMPRESSION FITTING 1" SS

AVAILABILITY OF BRASS FITTINGS DEPENDING ON PRESSURE AND SIZE.  
PAY ATTENTION TO THE MAXIMUM APPROVED PRESSURE OF YOUR PIPEWORK



**TECHNICAL SPECIFICATION**

MATERIAL OF GAS WETTED PARTS:  
REGULATOR BODY: BRASS (CW614N)  
REGULATOR DIAPHRAGM: HASTELLOY (C276)  
REGULATOR SEAL: PVDF  
REGULATOR SEAT: PCTFE  
RELIEF VALVE SEAT: FKM  
SAFETY VALVE SEAT: FKM  
SAFETY VALVE OUTLET CONN. NPT1/2" F

INLET PRESSURE: MAX.300 BAR  
FLOW NOMINAL: 100 Nm<sup>3</sup>/h (N2)  
ACC. TO ISO 7291 AT 20 BAR OUT

GAS TYPE  
DEFINED BY PRODUCT LINE AND TYPE  
(CHECK APPROVED GAS TYPE IN DATASHEET)

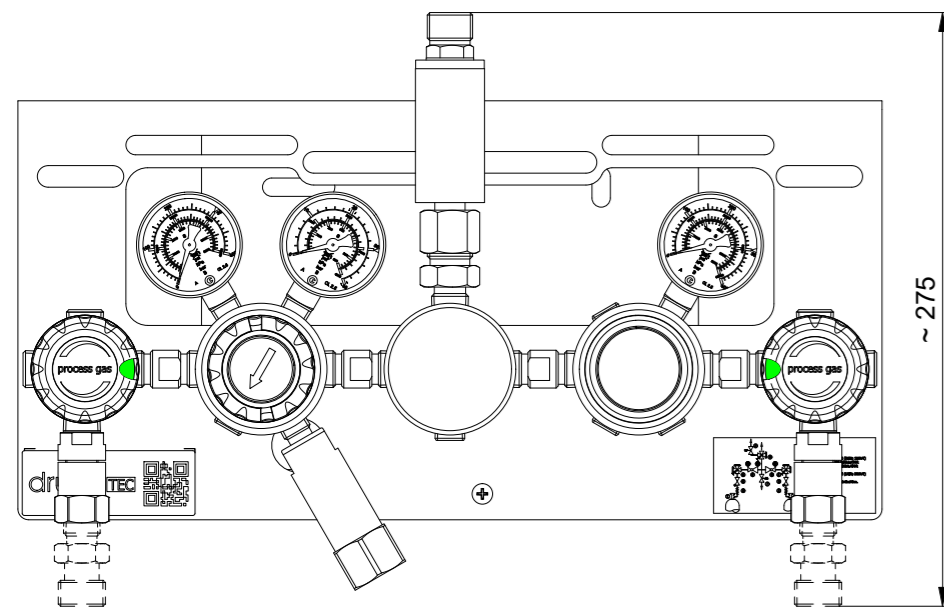
TEC LINE:  
NON-CORROSIVE GASES  
NON-TOXIC GASES



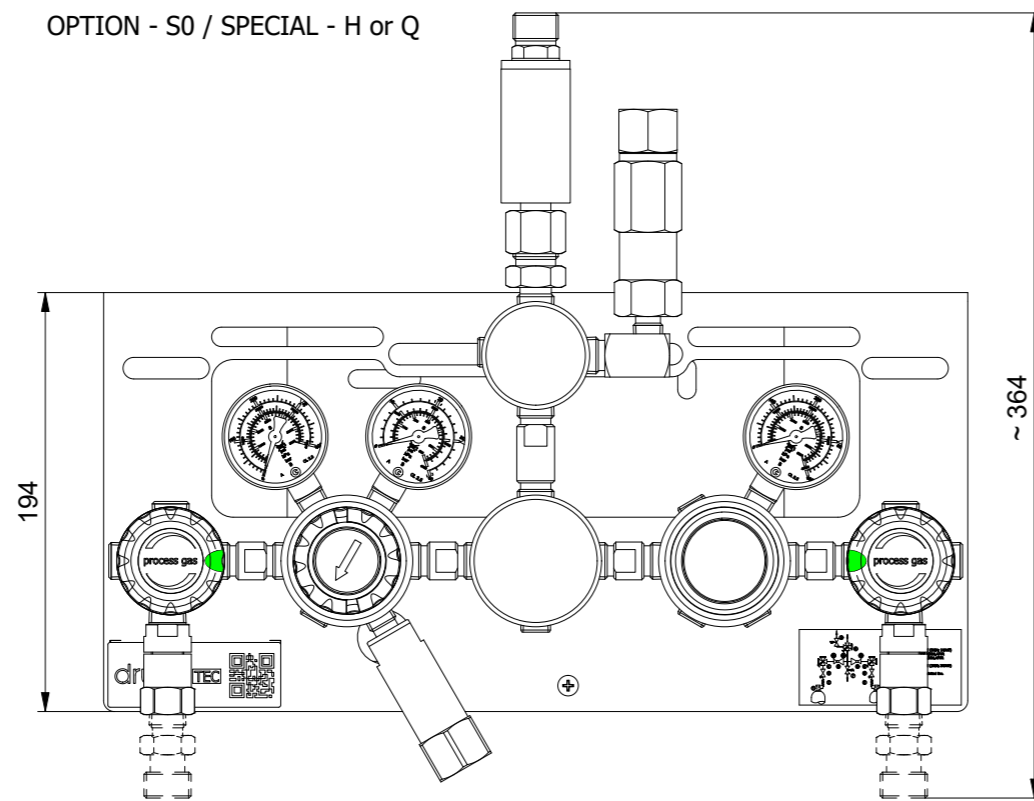
Polotovar Raw material Material Material	Rozměr polotovaru Dim. of raw material Material Material	Povrchová úprava Surface finish Starý výkres Old drawing	Hmotnost Weight 1/3	9,60 kg
Komentář Notice Datum vypracování Creation date Vytvořitel Created Kontroloval Inspected Schválil Approved Kvalifikační Bum Class	9.2.2021 Chadim Lubos Ondracek Dr. Th. Kuester B: Standard	Opracování / Machining Ra Měřítko / Scale 1:2	Kritický rozměr značen Critical dimension marked ISO 2768 m,K -0,1 -0,3 +0,3 +0,1	KR MANIFOLD TEC-LINE MID FLOW H0 MAN TEC 100Q H0 2SEMI SGL INSHUTOF ECE MTMH0SSS

EXAMPLE: MTMH0SSSS0GXEZBTBTN38FM12S0001

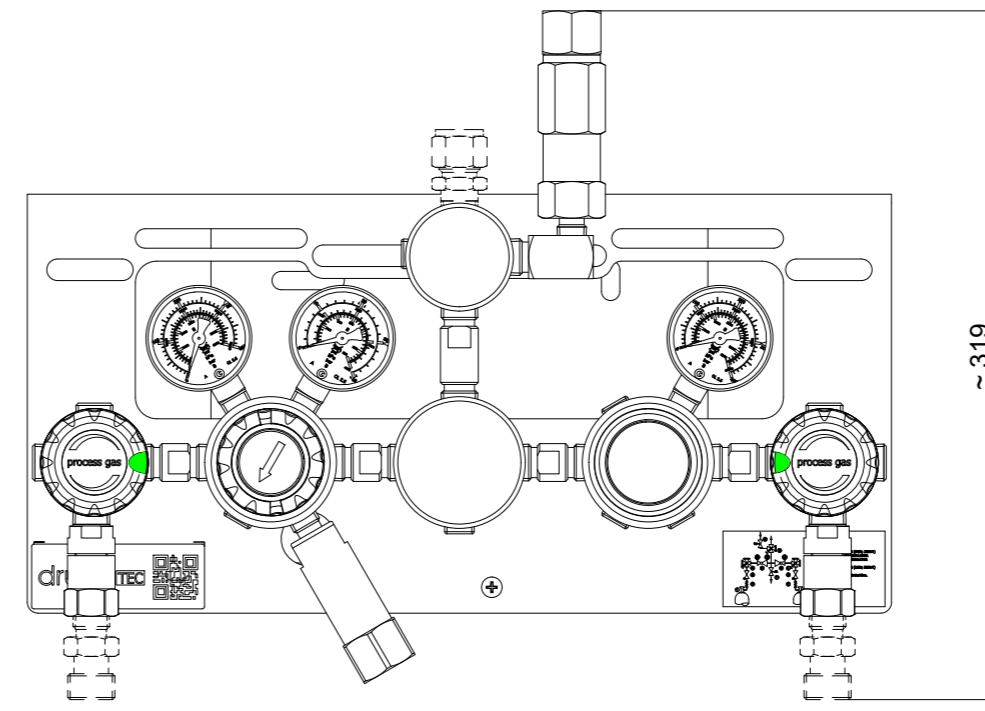
OPTION - S0 / SPECIAL - G or P



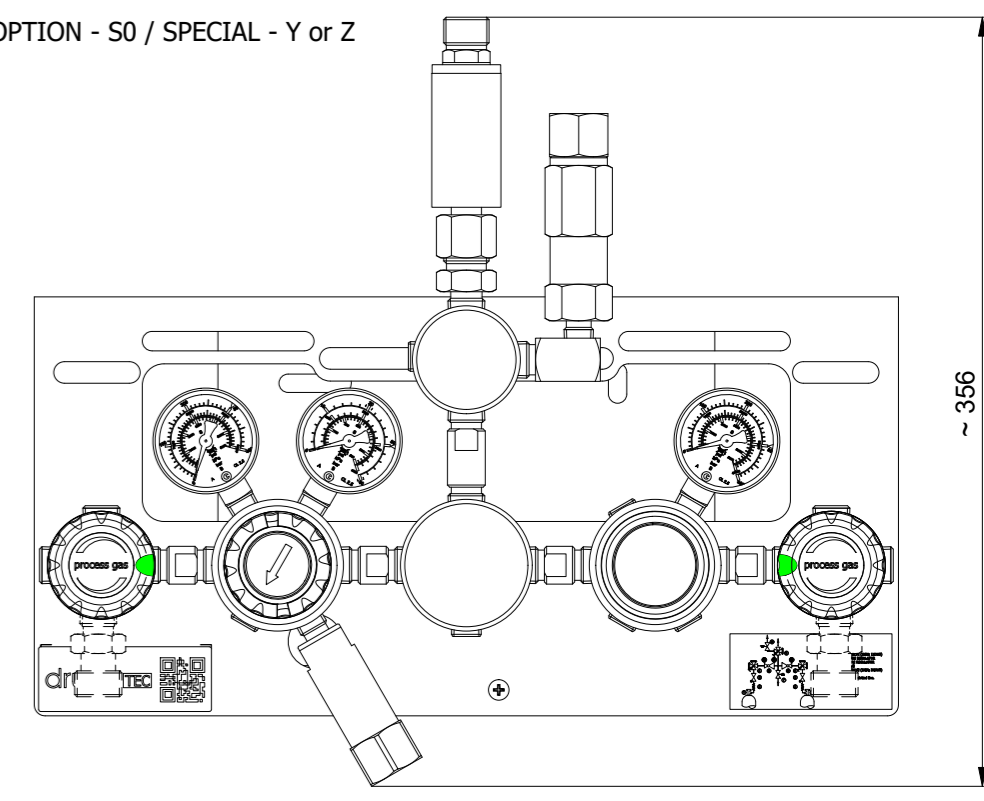
OPTION - S0 / SPECIAL - H or Q



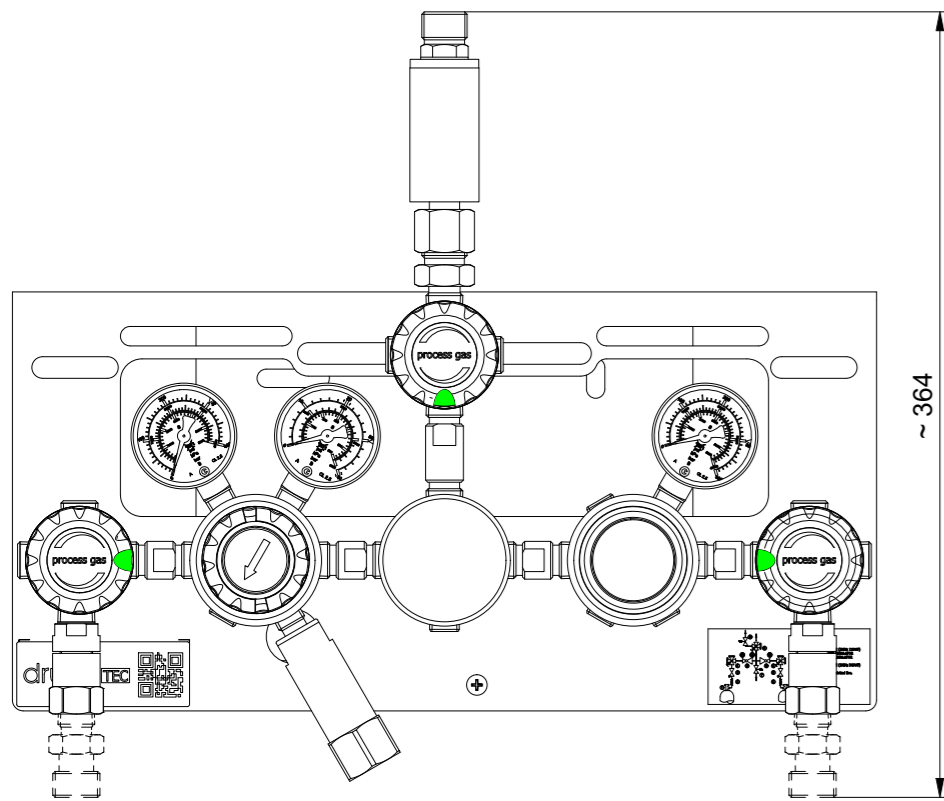
OPTION - S0 / SPECIAL - U



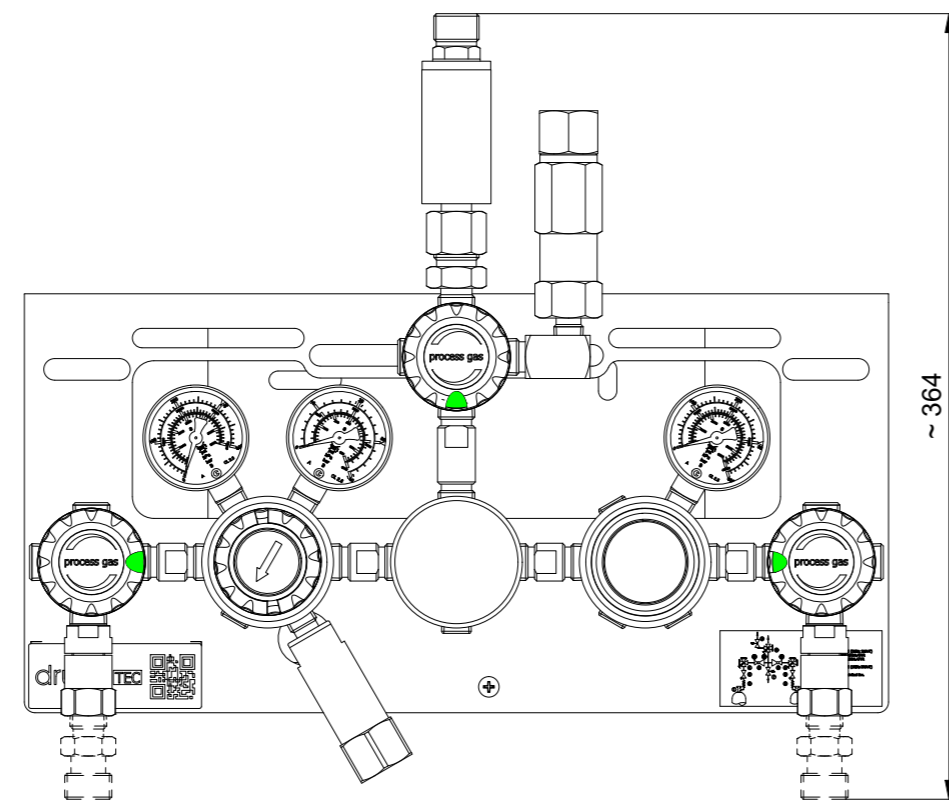
OPTION - S0 / SPECIAL - Y or Z



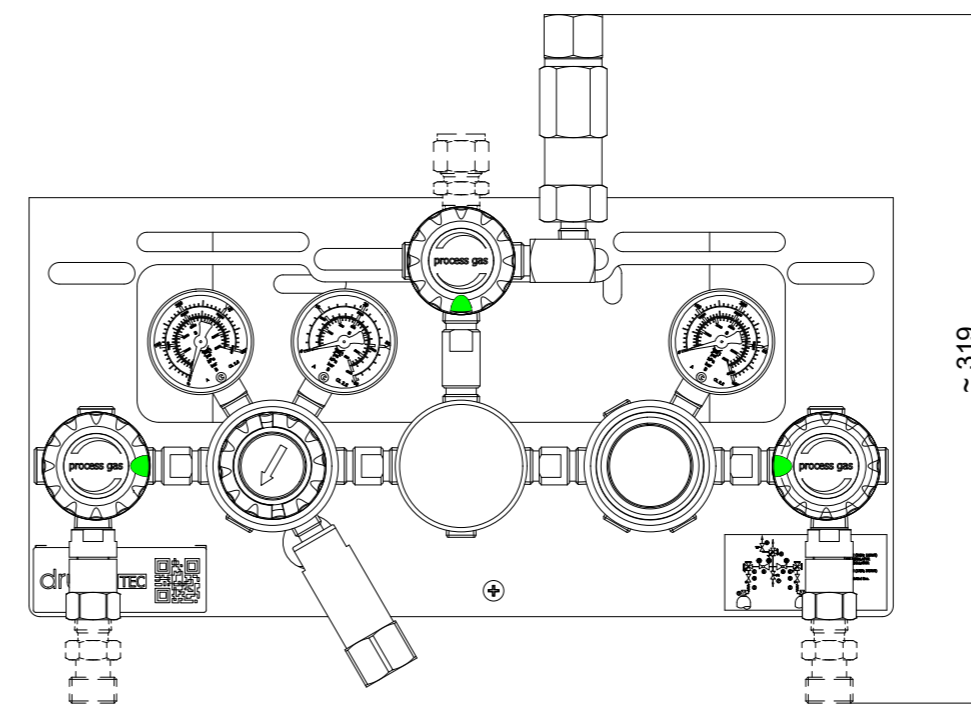
OPTION - SS / SPECIAL - G or P



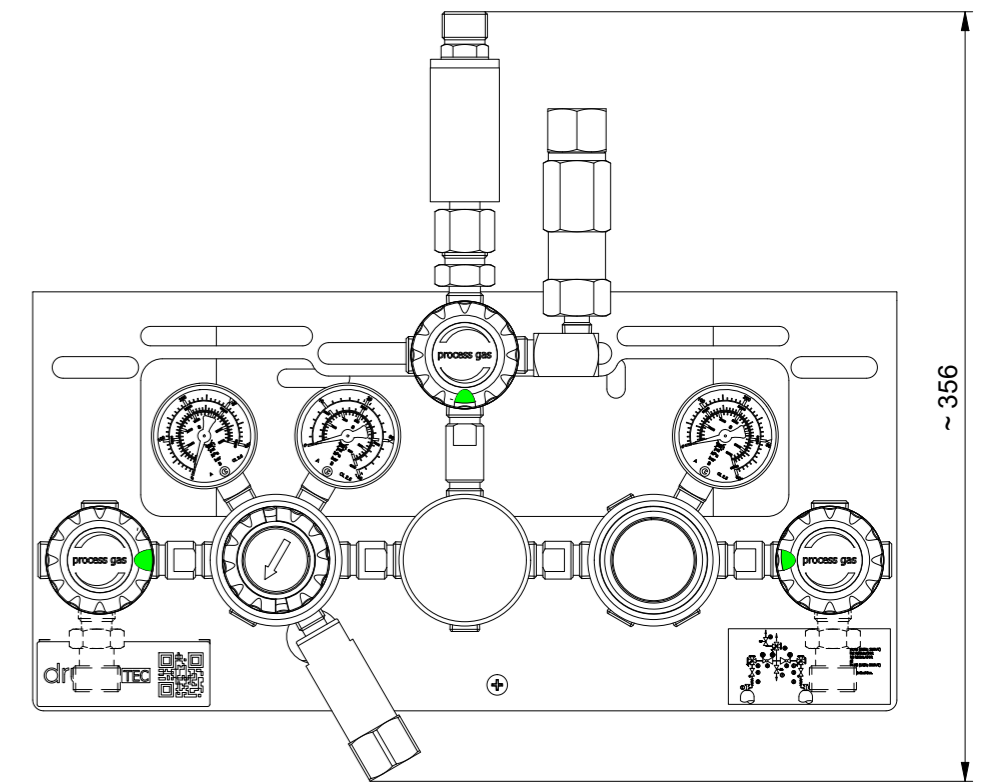
OPTION - SS / SPECIAL - H or Q



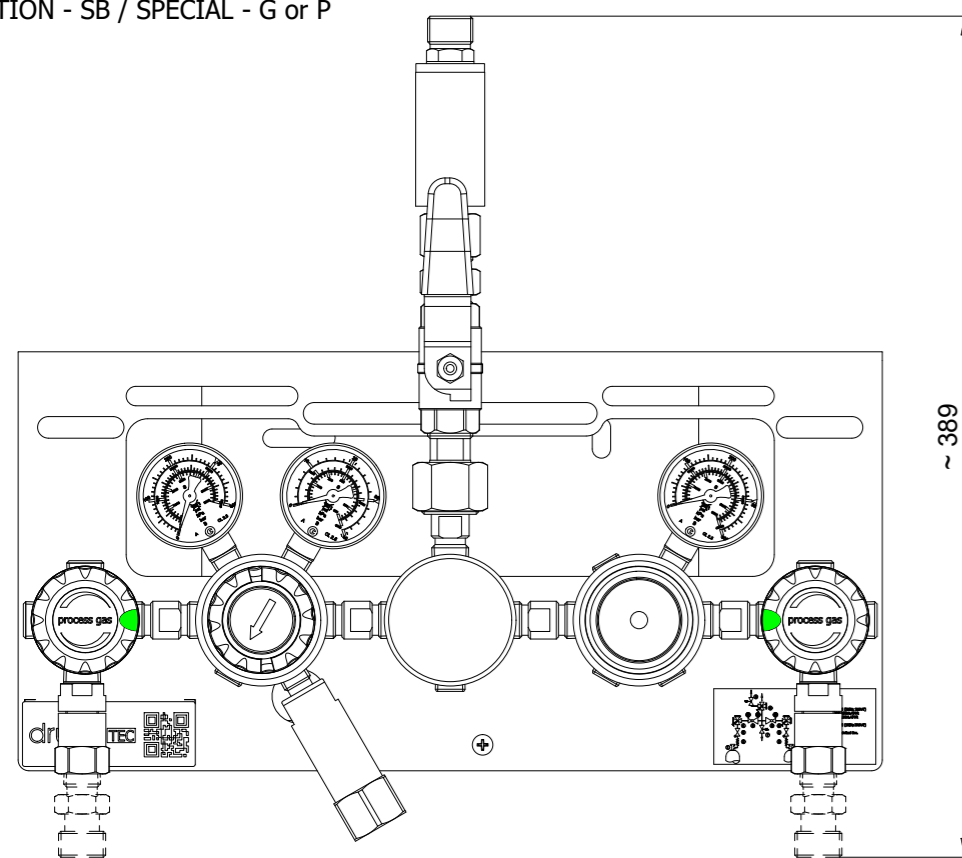
OPTION - SS / SPECIAL - U



OPTION - SS / SPECIAL - Y or Z



OPTION - SB / SPECIAL - G or P



OPTION - SB / SPECIAL - H or Q

NOT AVAILABLE

OPTION - SB / SPECIAL - U

NOT AVAILABLE

OPTION - SB / SPECIAL - Y or Z

NOT AVAILABLE

Polotovar Raw material Materiál Material	Rozměr polotovaru Dim. of raw material Materiál Material	Povrchová úprava Surface finish Starý výkres Old drawing	Hmotnost Weight List / Počet listů Sheet / Number of sheets 2 / 3
Datum vypracování Creation date 9.2.2021 Vytvořitel Created Chadim Kontroloval Inspected L. Ondráček Schválil Approved Ing. Z. Hájek Klasifikace Item Class B: Standard	Opracování / Machining Ra Měřítko / Scale 1:3,5	Kritický rozměr značen KR Critical dimension marked Netto rozměry / Dim. without tol. ISO 2768 m,K -0,1 -0,3 +0,3 +0,1	MANIFOLD TEC-LINE MID FLOW H0 MAN TEC 100QM H0 2SEMI SGL INSHUTOF ECE MTMHOSSS